

Temperature Actuated Flow Reducers (TAFR)

DESCRIPTION

Cash Acme Heatguard® Temperature Actuated Flow Reducing (TAFR) devices protect everyone from scalding.

The Cash Acme TAFR devices use proven thermostatic element technology for most all showers, faucets and baths.

Applications for **Cash Acme's TAFR** devices are almost endless: private and public housing, child care centers, hospitals, hotels and motels and nursing homes just to name a few.

FEATURES AND BENEFITS

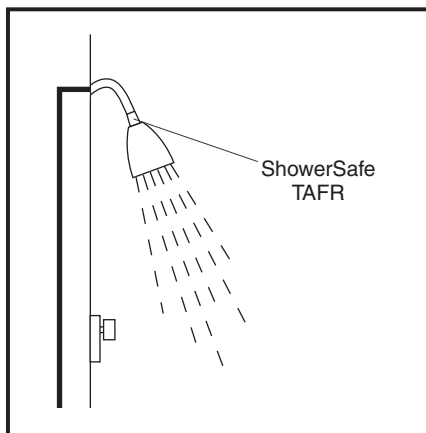
Conforms to international safety standards:
Specify and install with confidence!

Simple and effective scald prevention:
Quick installation and fits most showers, taps and baths.

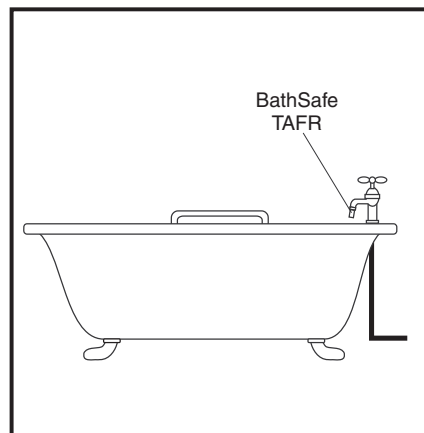
Strong construction with a sleek design:
Made from solid brass with a chrome finish (ShowerSafe & TapSafe) or polished brass finish (BathSafe).

Perfect for remodeling applications:
Ease of installation provides cost effective scald protection.

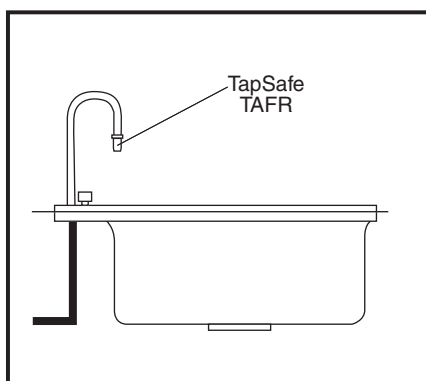
TYPICAL INSTALLATION



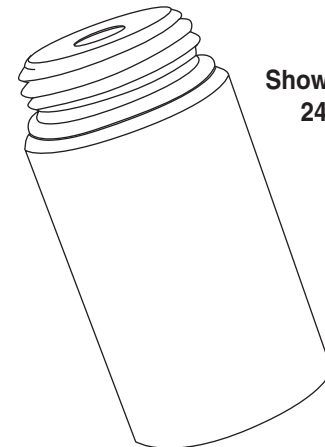
ShowerSafe 24110



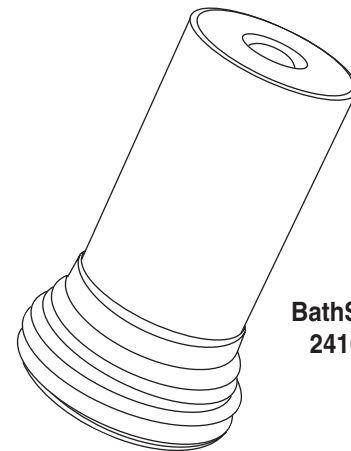
BathSafe 24109



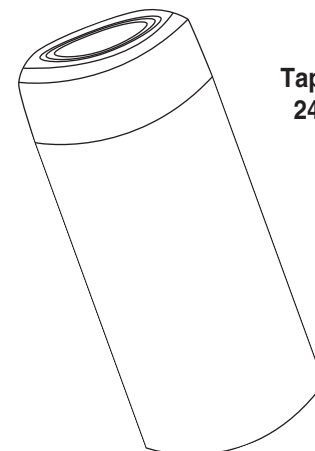
TapSafe 24108



ShowerSafe
24110



BathSafe
24109



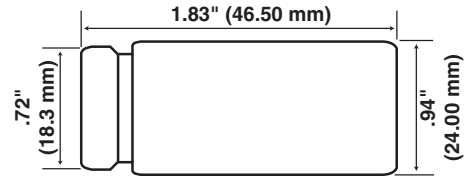
TapSafe
24108

Temperature Actuated Flow Reducers (TAFR)

SPECIFICATION DATA

Heatguard® ShowerSafe Valve Performance:

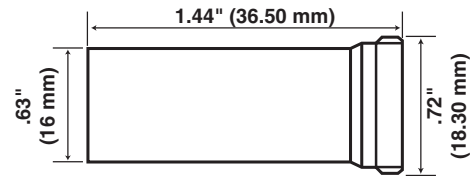
Hot water supply temperature . . . 185°F (85°C) max.
 Max. flow rate 4.0 GPM
 Shut-down less than 0.25 GPM
 Nominal set temperature 117°F (47°C) ± 2°F
 Max. operating pressure 145 PSI
 Min. operating pressure less than 1.5 PSI
 Threads 1/2" NPT (inlet/outlet)



ShowerSafe 24110

Heatguard® BathSafe Valve Performance:

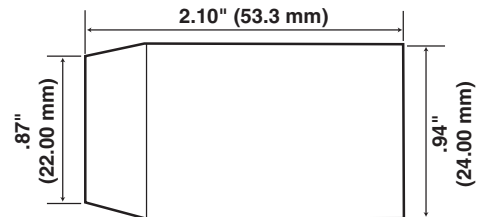
Hot water supply temperature . . . 185°F (85°C) max.
 Flow rate normal greater than 6.6 GPM
 Shut-down less than 0.25 GPM
 Nominal set temperature 117°F (47°C) ± 2°F
 Max. operating pressure 145 PSI
 Min. operating pressure less than 1.5 PSI
 Threads 1/2" NPT



BathSafe 24109

Heatguard® TapSafe Valve Performance:

Hot water supply temperature . . . 185°F (85°C) max.
 Max. flow rate 2.5 GPM
 Shut-down less than 0.25 GPM
 Nominal set temperature 117°F (47°C) ± 2°F
 Max. operating pressure 145 PSI
 Min. operating pressure less than 1.5 PSI
 Threads Adaptor for standard male or female laundry faucets



TapSafe 24108

CERTIFICATIONS

The Cash Acme Heatguard® TAFR devices are certified to ASSE 1062, CSA B125.3 and NSF61. The Cash Acme Heatguard® TAFR devices are listed by ASSE, and IAPMO.